

PART NO. APG22

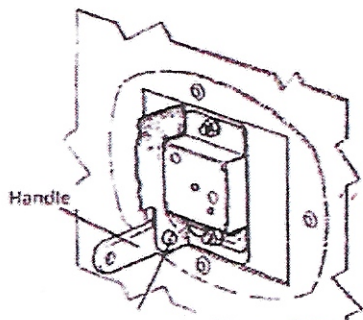
How to fit a new Handle to Your Garador

Description: Press Handle & Axle Pin
Models: Garador from 1971- Mk1, Mk2, S/S, Mk3, MK3B, MK3R, Double Type C, Double Type R, Welvent, F2, F3C, T/G, Mk3CV, Mk4, M4, Mk4V.

Removing Existing Handle

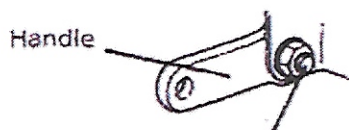
Study handle fixing arrangement and remove Accordingly.

1.



Remove small end of pivot pin and punch out. Withdraw existing handle from front of door.

Or 2.



Remove nut, washer and shouldered bolt. Withdraw existing handle from front of door.

Or 3.

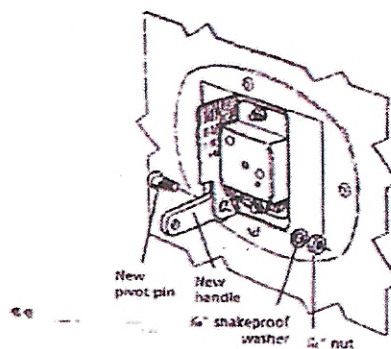


Remove split pin, washer and clevis pin. Withdraw existing handle from front of door.

Fitting a New Handle

Fix new handle according to previous fixing arrangements.

1.



Insert handle from front of door. Secure as indicated above the new pivot pin, washer and nut.

ARCADIAN PRODUCTS (2000) LTD
221 BARFORD STREET
HIGHGATE
BIRMINGHAM
B5 7EP