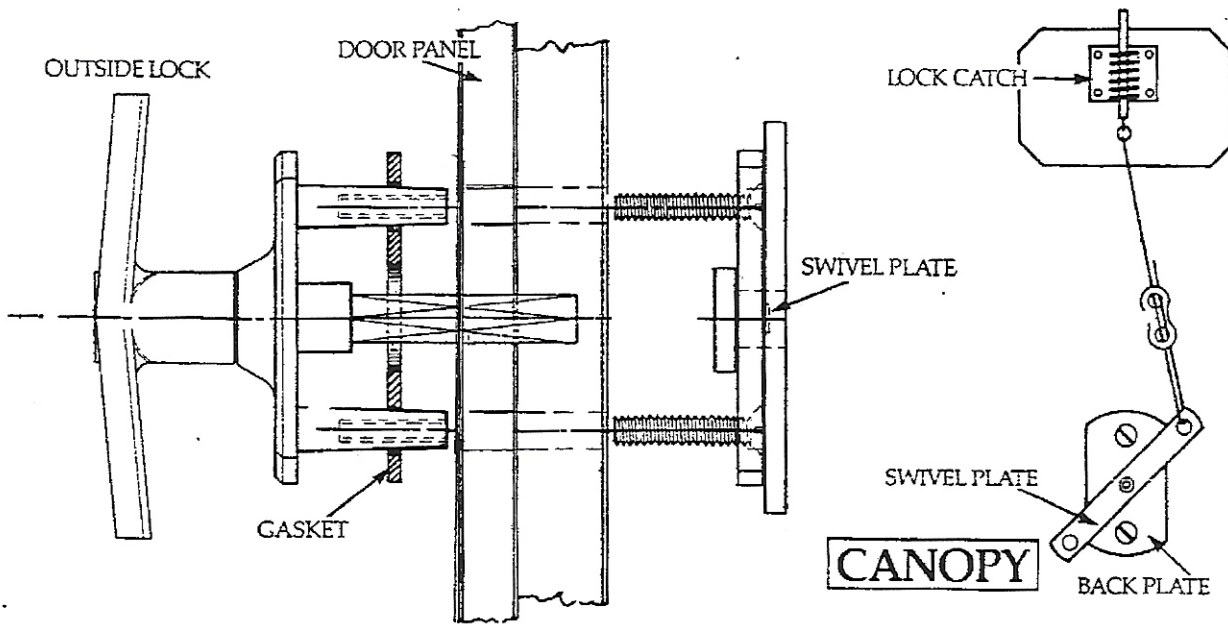


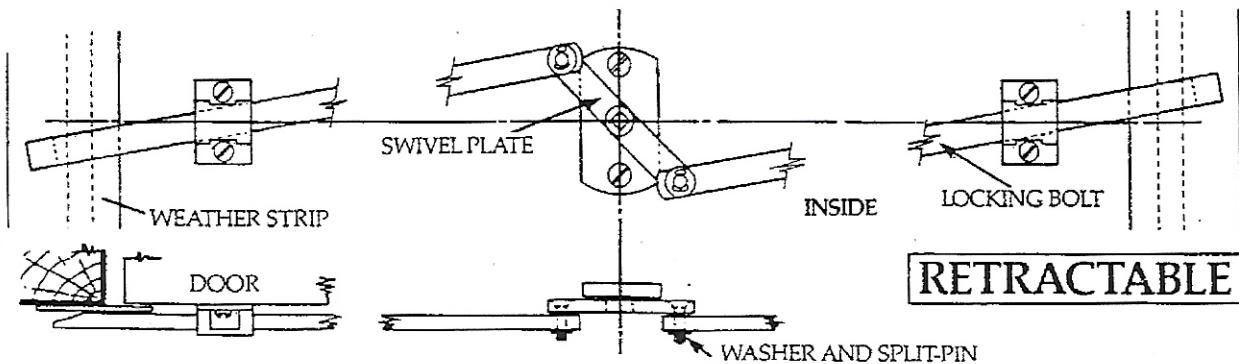
FITTING INSTRUCTION

Part Number APH251 Arcadian Henderson type SL lock pack

Note; This lock pack is for use on both Retractable and Canopy Doors therefore some items may not be required.



Canopy operation:- Fit gasket to lock base for metal doors, not required for timber doors. With lock handle UNLOCKED fit through door panel with the swivel plate at the angle shown fasten onto lock handle. Thread cable through top hole as shown, reconnect cable clamp and adjust.



Retractable operation:- Fit gasket to lock base for metal doors, not required for timber doors. With lock handle UNLOCKED fit through door panel with the swivel plate at the angle shown fasten onto lock handle. Fasten locking bars to the swivel using pins, washers and split pins, fasten locking bar guide clips to side of door framework.