

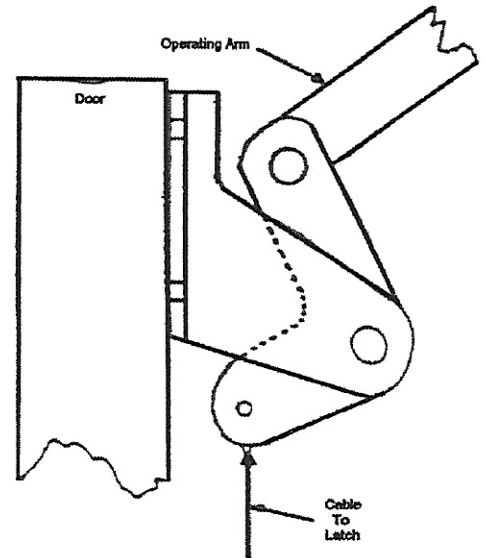
# ARCADIAN OPERATOR DELATCHING DEVICE

Our APZ600 OPERATOR DELATCHING DEVICE has been developed and manufactured to a high standard using die cast aluminium. The delatching arm is spring loaded to prevent the operator juddering during opening and closing.

Fixing is very straight forward and it can be used in conjunction with most doors and operators on the market today.

If the garage door is fitted with cable latching it is very simple to connect the cable from the delatching arm to the cable from the latch (s)

When the garage door is fitted with lock rods these should be locked in the unlocked position and Arcadian APZ61 cable latch (s) fitted to the lower edge of the door as shown.



## Fixing Hints

- 1 - Ensure your garage door is fully closing at the bottom.
- 2 - To avoid cable slip ensure cable clamps are use as shown.
- 3 - Before reconnecting operator arm, operate delatching device by hand to ensure that latches fully retract.
- 4 - Remember to readjust your operator closing limit to obtain correct closing and operation of latches

