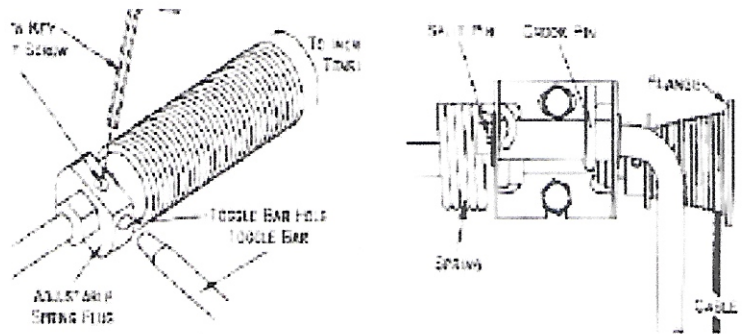
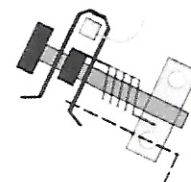
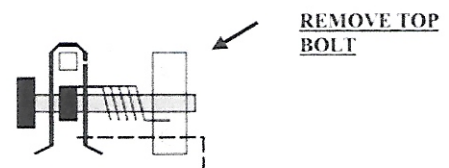
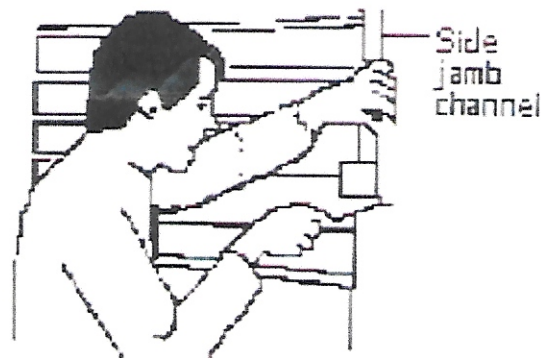


## REPLACING ROLLER SPINDLE/BRACKET ASSEMBLY

Using a Toggle bar or Philips screwdriver, rotate spring plug upwards to release spring pressure on cables. Insert crook pin over left hand head bracket, through hole in spring shaft.



Unclip cable from existing roller bracket. Remove the Jamb/guide channel. Remove top bolt from roller bracket and rotate slightly. Re-insert the bolt through the exposed hole to retain the bolt keep in the door chassis. Then remove the bottom bolt. Align the replacement bracket with the bottom hole and insert the bottom bolt. Remove the bolt from the top hole and rotate the bracket into the correct position and fasten securely with 10mm bolt. Reconnect the cable and remove the safety pin. Replace the Jamb/Guide channel. Ease the spring pressure, again using a toggle bar or Philips screwdriver and remove the crook-pin ensuring that the cables are in the outer grooves and run down behind the Cone.



ROTATE AND  
INSERT BOLT INTO  
EXPOSED HOLE